

EX5100 PARTS LIST

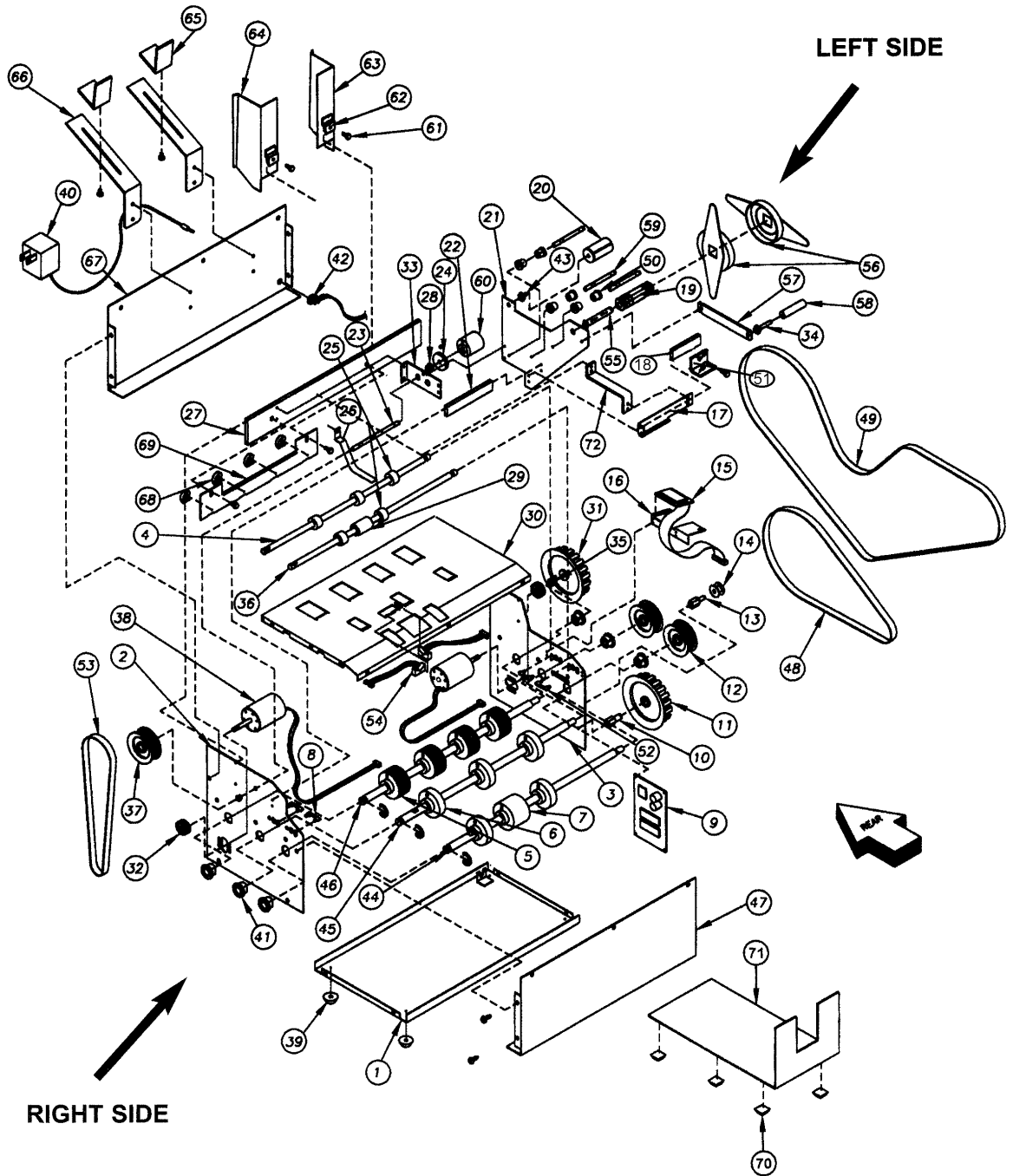
<u>ITEM NO.</u>	<u>PART NO.</u>	<u>QTY.</u>	<u>DESCRIPTION</u>
1	W-O501104	1	Bottom Panel
2	W-O501114	1	Non-Operator Side Frame
3	W-O501115	1	Operator Side Frame
4	W-O501206	1	Upper Middle Shaft
5	M-O501006	4	Feed Roller
6	M-O501403	5	Drive Roller
7	W-O501604	1	Tab Drive Roller
8	W-O501622	2	Right Pressure Arm
9	M-O501005	1	Main Logic Board
10	W-O501220	1	Combo Pulley Post
11	M-O501003	1	20 X 80 Dual Pulley
12	M-O501013	2	40T Media Drive Idler Pulley
13	W-O501609	1	Media Drive Idler Post
14	W-O501610	1	Idler Pulley
15	W-A501181	1	Display Assembly
16	W-O501618	1	LCD Bracket
17	W-O501113	1	Tab Peel Plate
18	WRO501216	1	Mounting Bar Assembly
19	W-O501303	1	Tab Reel Spindle
20	W-O501306	1	Black Tape Take Up Spool
21	W-O501109	1	Tab Display Mounting Frame
22	W-O501606	1	Tab Display Frame Support Bar
23	W-O501209	1	Carrier Drive Shaft
24	W-O501305	1	Take Up Spool Drive Pulley
24A	M-S023033	1	Take Up Drive Belt (O-Ring)
25	M-O501602	5	Drive Pressure Roller
26	W-O501119	1	Feeder Exit Guide
27	W-O501219	1	Guide Mounting Cross Bar
28	W-O501031	2	Tab Drive Bushing
29	W-O501603	1	Tab Pressure Roller
30	W-O501101	1	Top Panel
31	M-O501015	1	72T Feed Drive Pulley
32	M-O501012	2	10T Motor Pulley
33	W-O501608	1	Dispenser Shaft Bracket
34	W-O501213	1	Reel Brake Post
35	M-S031033	1	Clutch Spring
36	W-O501207	1	Upper Exit Shaft
37	M-O501014	1	60T Tab Drive Pulley
38	W-A501175	1	Tab Motor Assembly

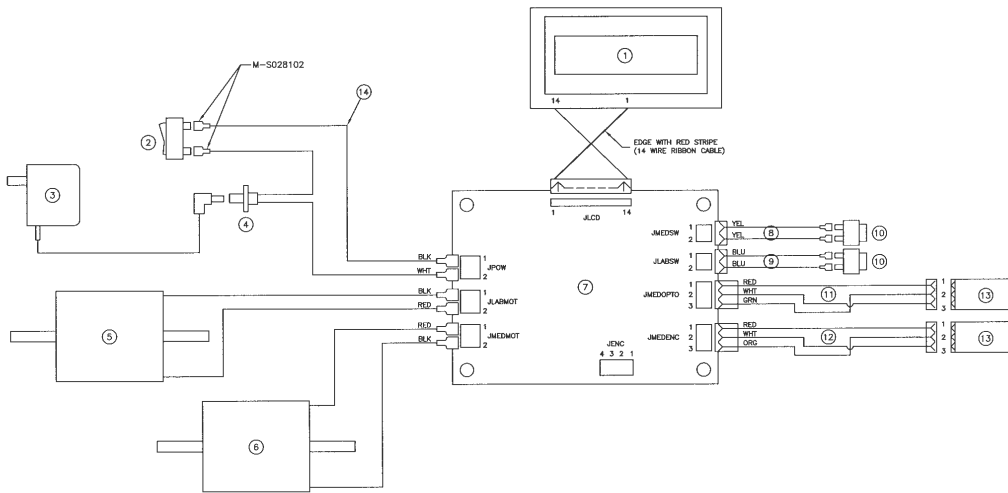
<u>ITEM NO.</u>	<u>PART NO.</u>	<u>QTY.</u>	<u>DESCRIPTION</u>
	W-A501176	1	Media Motor
39	M-S030045	4	755 RW Bumpers
40	M-S045182	1	24 VDC Power Supply
41	M-S013024	6	Oilite Bushing with Flange
42	M-S045196	1	D.C. Power Jack Assembly
43	W-O501215	1	Back Tape Mounting Post
44	W-O501204	1	Exit Shaft
45	W-O501203	1	Drive Shaft
46	W-O501201	1	Feeder Shaft
47	W-O501103	1	Rear Panel
48	M-S025042	1	95T Timing Belt
49	M-S025046	1	204T Timing Belt
50	M-O501304	6	Guide Spool
51	M-O501607	1	Tab Fold Guide Bracket
52	W-O501621	2	Left Shaft Retainer
53	M-S025041	1	130T Timing Belt
54	M-S045170	2	OPTO Device
55	W-O501212	1	Tab Reel Spindle Post
56	M-O501010	2	Tab Reel and Hub Guide
57	W-O501218	1	Tab Reel Brake Link
58	W-O501050	1	Tab Brake Roller
59	W-O501214	3	INT Spool Guide Post
60	W-A501601	1	Carrier Drive Roller Assembly
61	M-S032004	2	#10-32 X 3/8 Nylon Thumb Screw
63	W-O501107	1	Media Guide (Left)
64	W-O501108	1	Media Guide (Right)
65	W-I501611	2	Media Feed Angle Adj. Bracket
66	W-I501612	2	Media Feed Guide
67	W-O501102	1	Front Panel
68	M-O501004	4	Separator
69	W-O501614	1	Separator Frame
70	M-S61000039	4	Rubber Bumpers
71	W-O501620	1	Exit Tray
72	W-O501615	1	Peel Bar Support

NOT ILLUSTRATED

WRA032058	2	Locking Knob, Blue
WRA032045	5	Locking Knob, Black
WRA501109	1	Tab Dispenser Frame Assembly
W-O501001	1	Left Side Cover
M-O501002	2	Right Side Cover

PARTS DIAGRAM





SCHEMATIC REFERENCE

- 1 LCD Display Assembly, # W-A501181
- 2 Power Switch, # M-S033025
- 3 1.2A Wall Supply, # M-S045198
- 4 DC Power Jack, # W-A501164
- 5 Tabbing Motor, # W-A501175
- 6 Media Motor, # W-A501176
- 7 Main Logic Board, # M-O501005
- 8 Media Switch Cable, # W-A501025
- 9 Tab Switch Cable, # W-A501026
- 10 Momentary Switch, # M-S033026
- 11 Media Sensor Cable, # W-A501171
- 12 Tab Sensor Cable, # W-A501171
- 13 Tab/Media Sensor, # M-S045170